

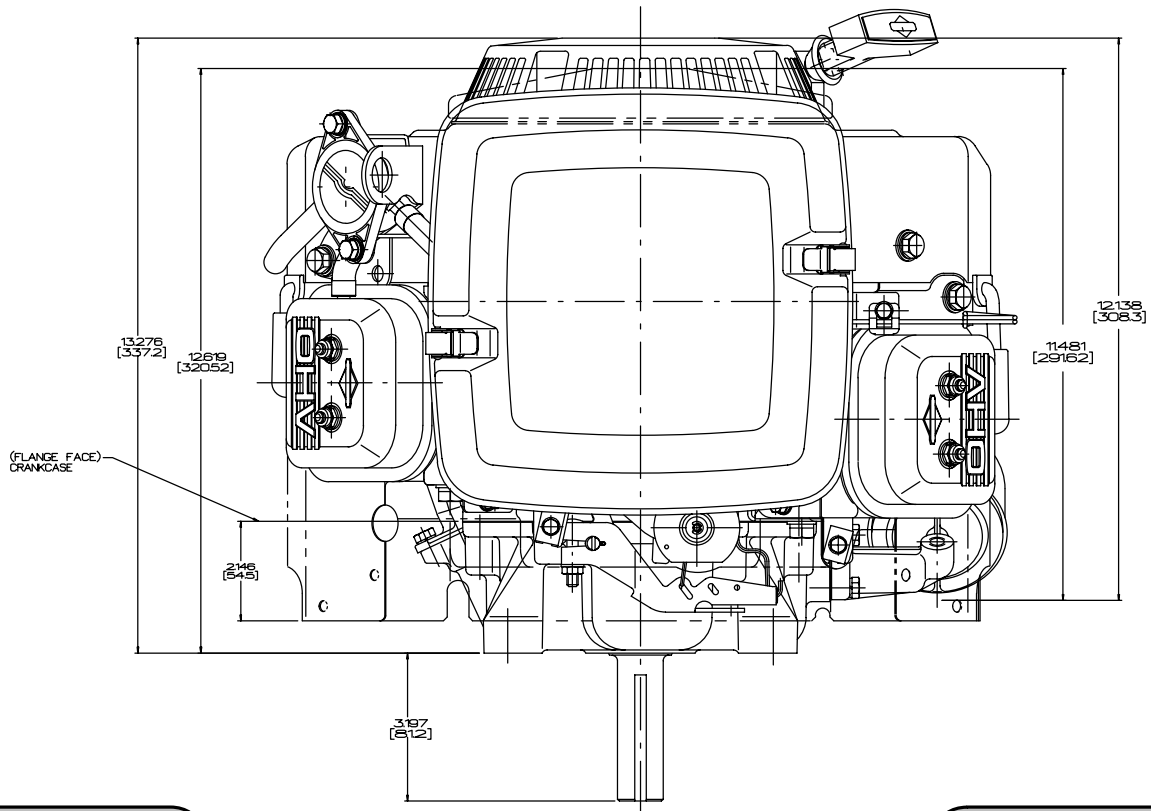


VANGUARD™

V-TWIN SERIES

Outline Drawings

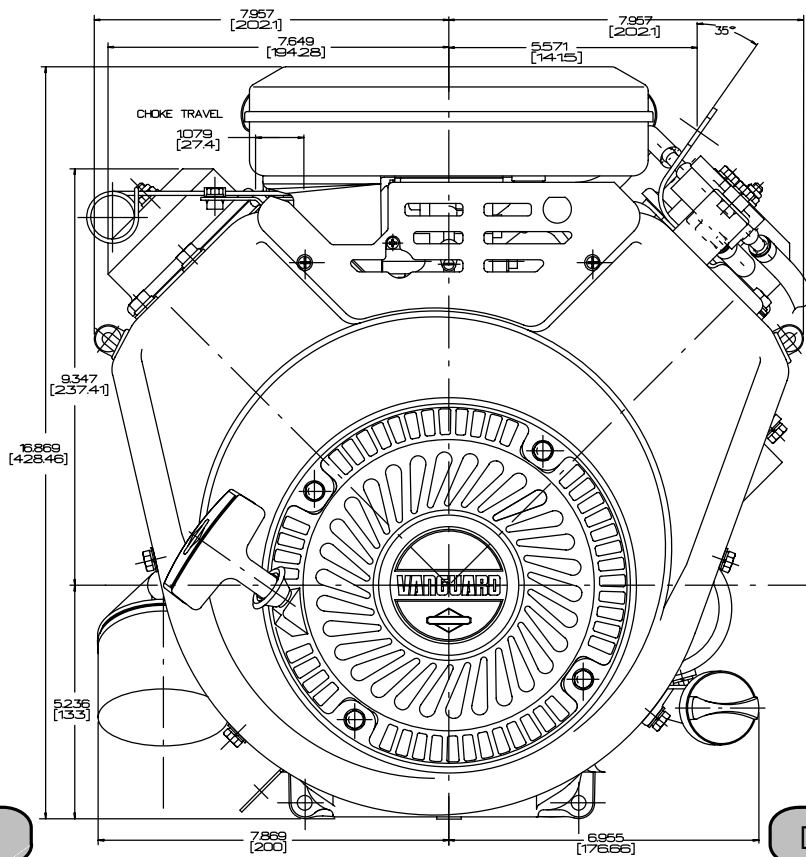
16 HP 303700



Air Cleaner Side

Also available in a 14 HP configuration.

Dwg 29070000006



Top View

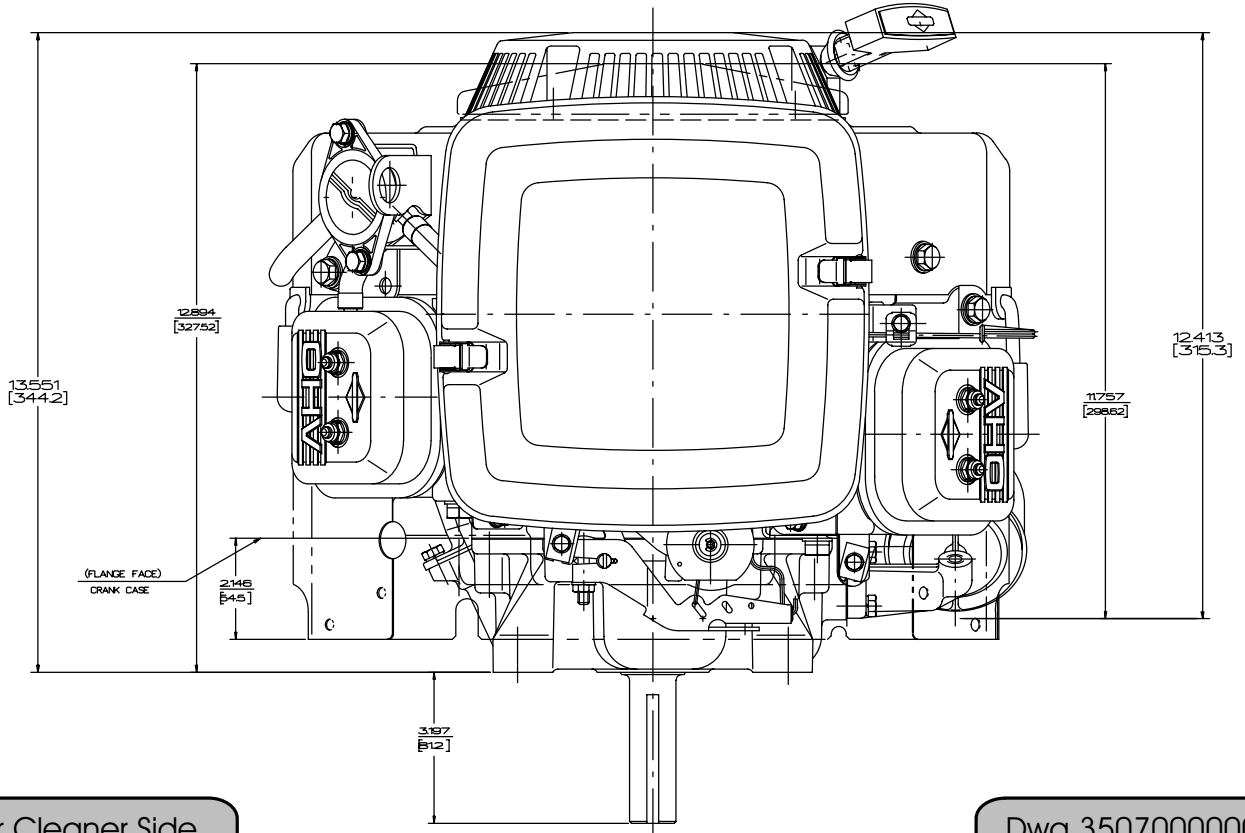
Dwg 29070000006



VANGUARD™ V-TWIN SERIES

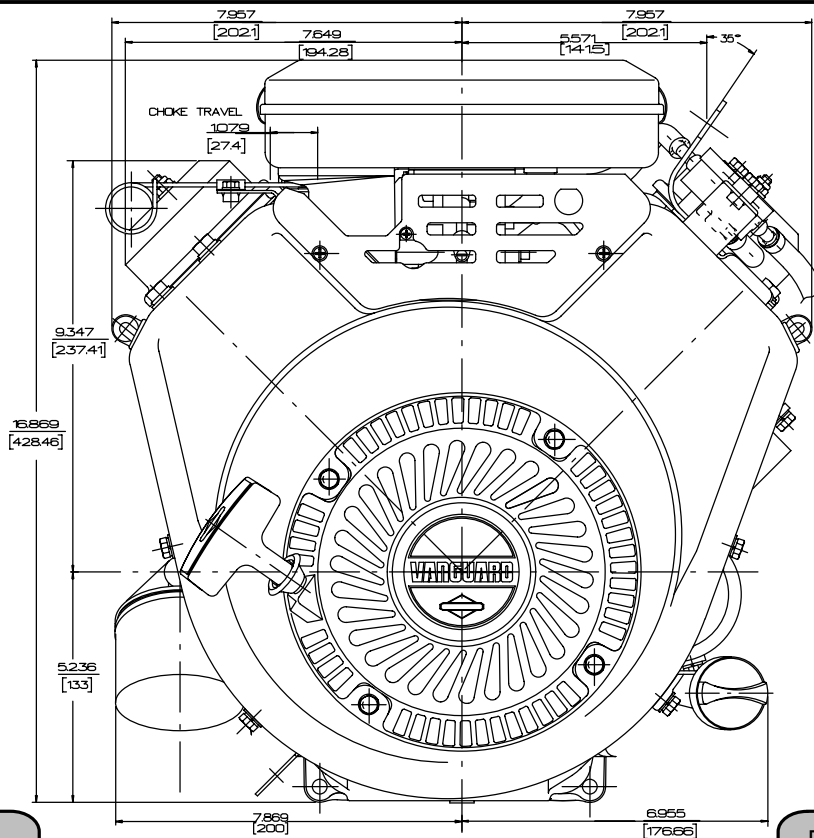
Outline Drawings

18 HP 350700



Air Cleaner Side

Dwg 35070000006



Top View

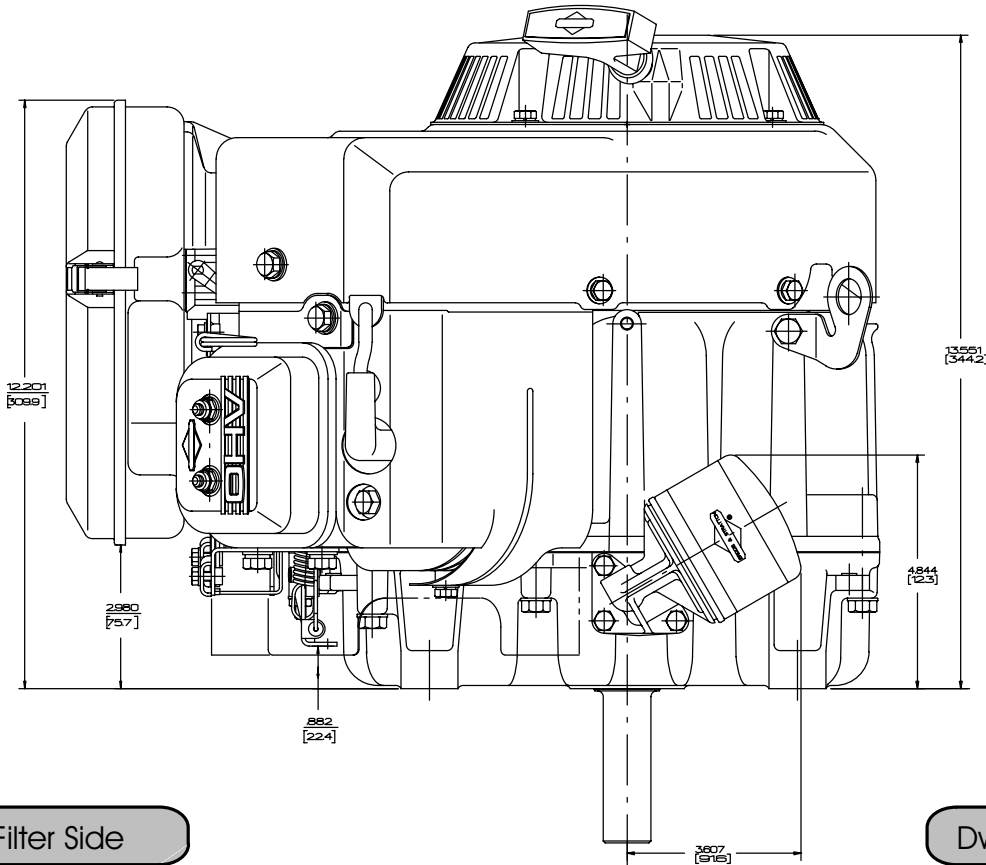
Dwg 35070000006

BRIGGS & STRATTON

VANGUARD™ V-TWIN SERIES

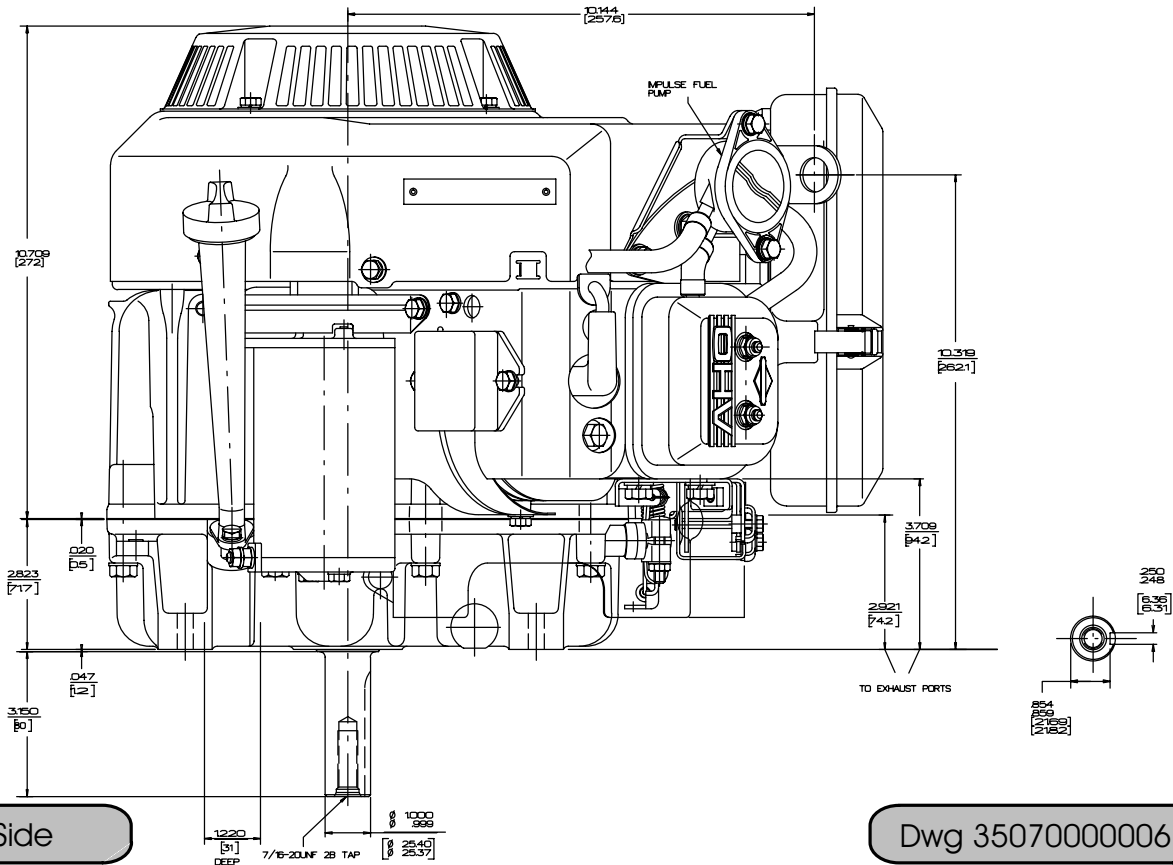
18 HP 350700

Outline Drawings



Oil Filter Side

Dwg 35070000006



Oil Fill Side

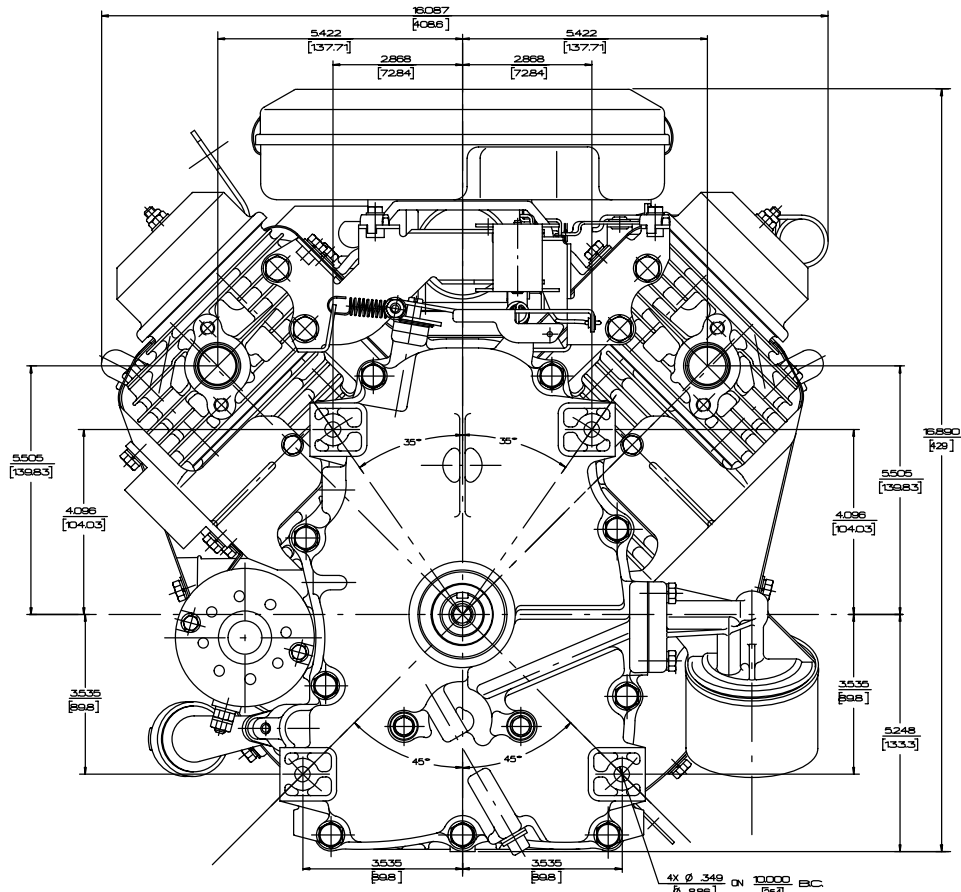
Dwg 35070000006



VANGUARD™ V-TWIN SERIES

Crankshaft Data

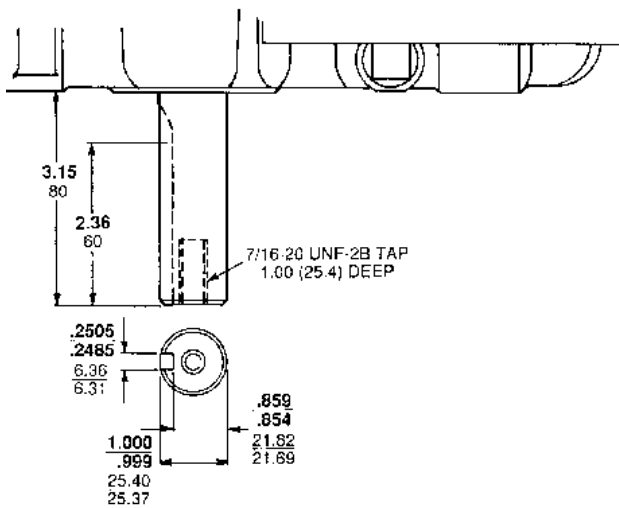
16 HP 303700
18 HP 350700



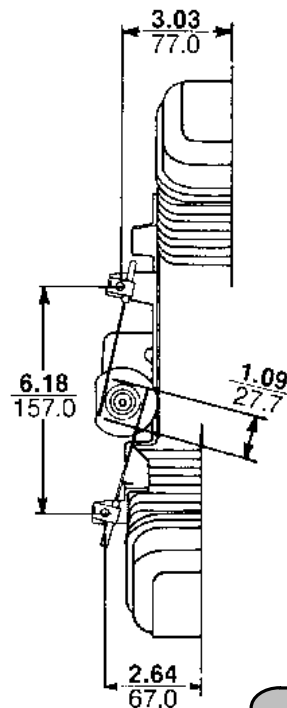
PTO Side View

Also available in a 14 HP configuration.

Dwg 35070000006



Crankshaft Data



Control Mtg. Point

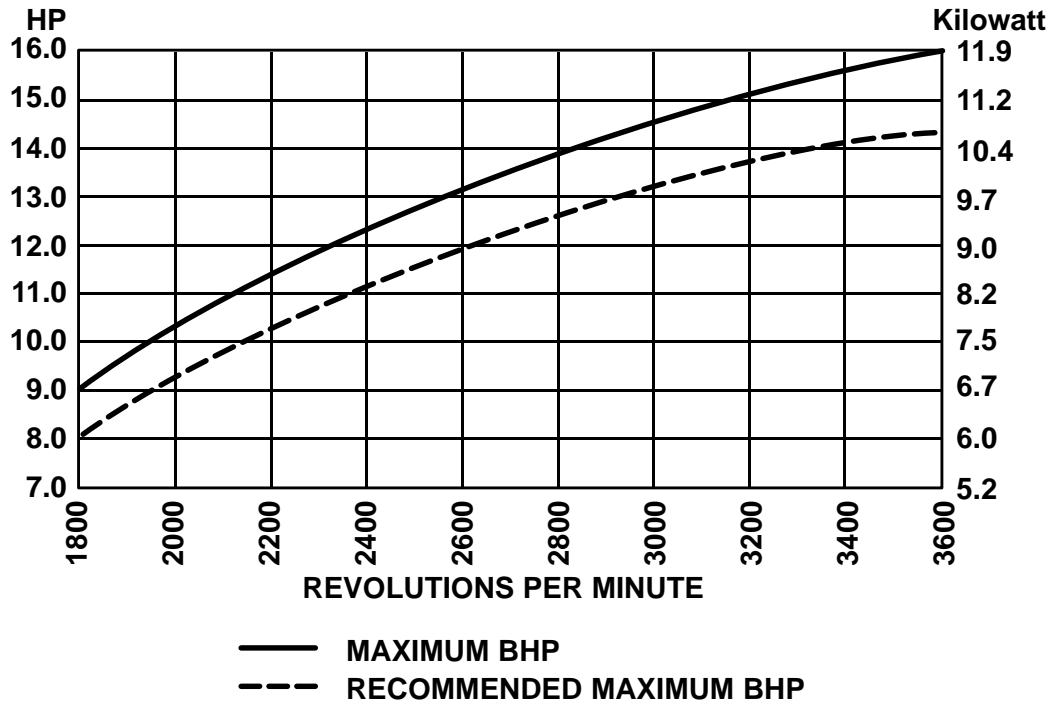


VANGUARD™ V-TWIN SERIES

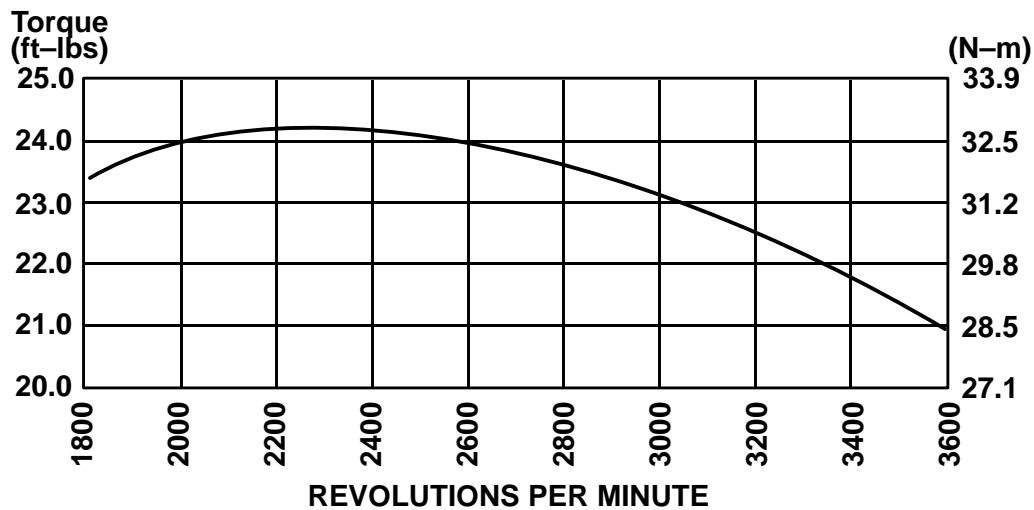
16 HP 303700

Performance Data

Power Curve



Torque Curve



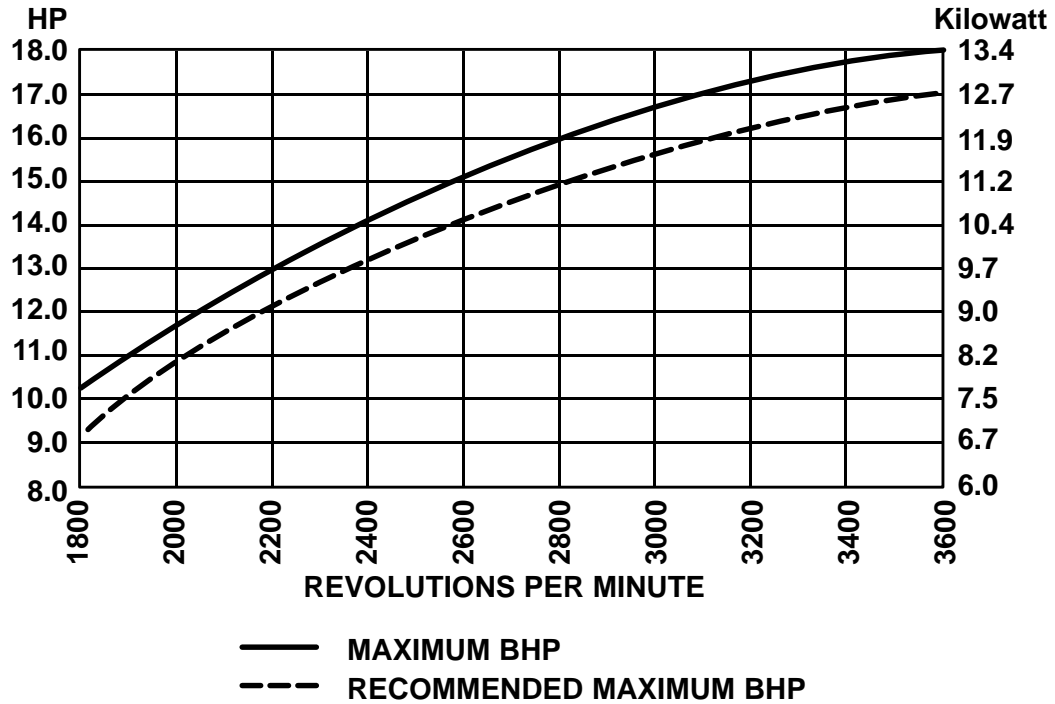


VANGUARD™ V-TWIN SERIES

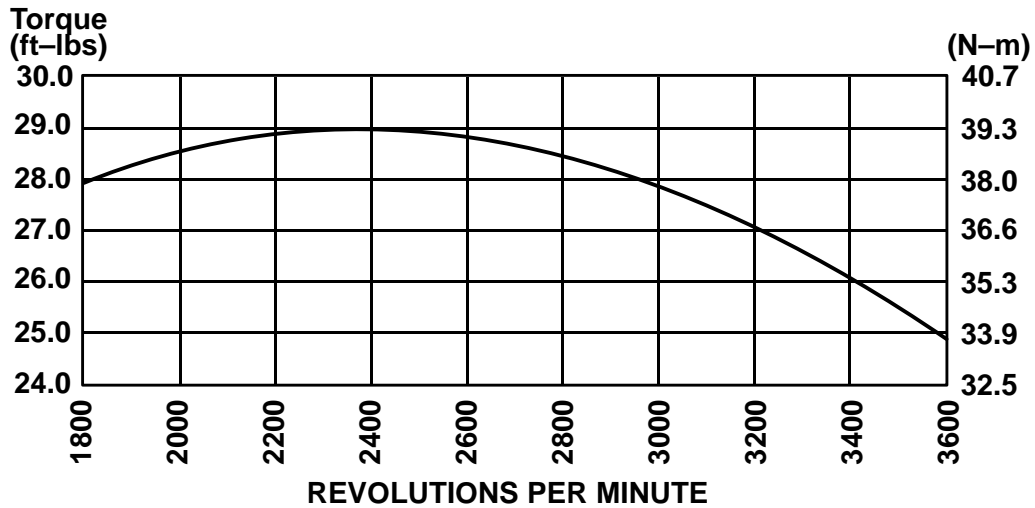
18 HP 350700

Performance Data

Power Curve



Torque Curve



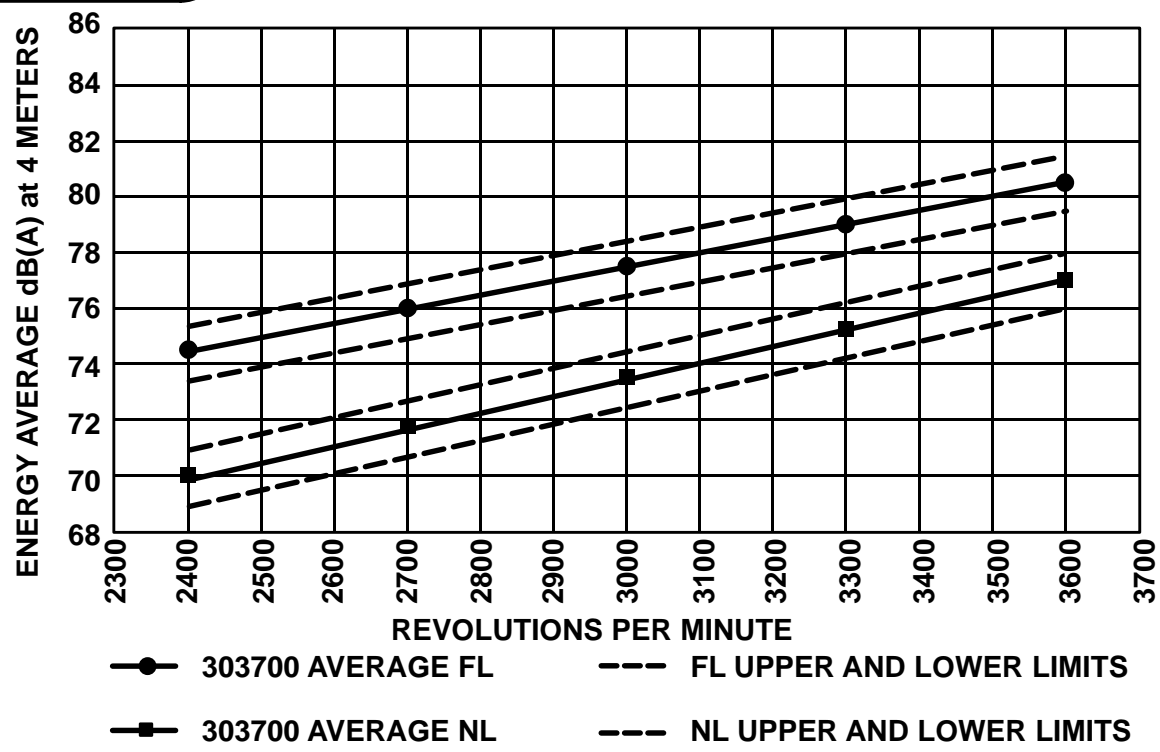


VANGUARD™ V-TWIN SERIES

Sound Performance

16 HP 303700
18 HP 350700

Sound Chart



Sound Chart

