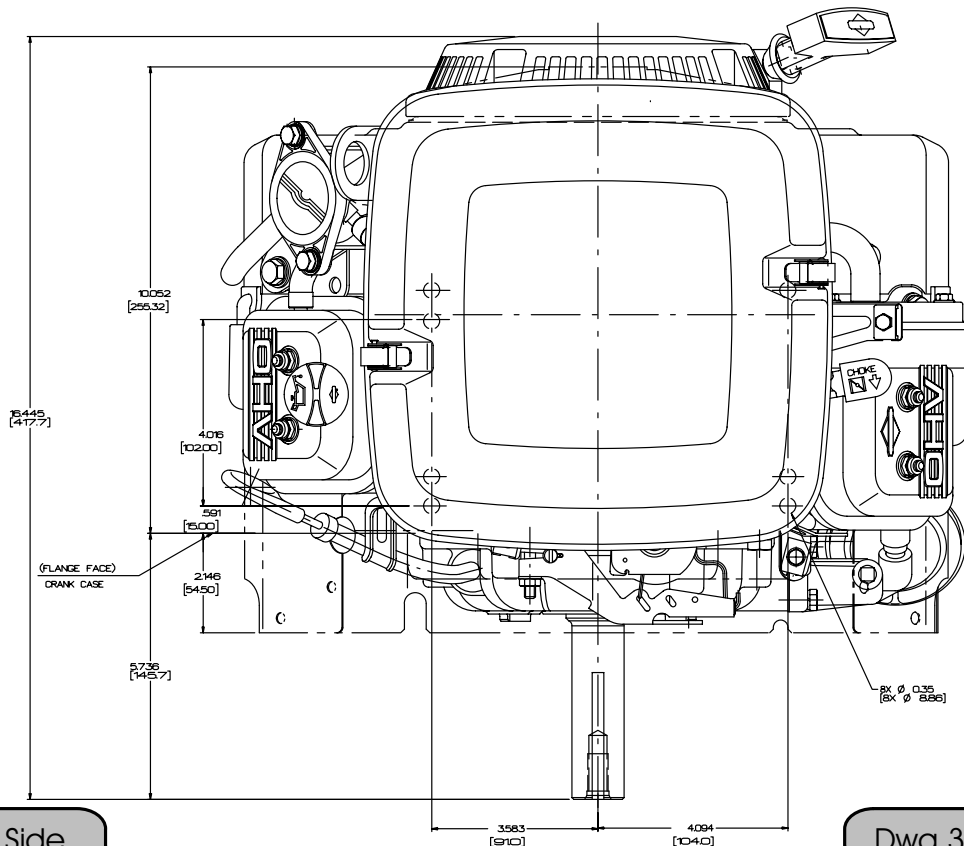




VANGUARD™ V-TWIN SERIES

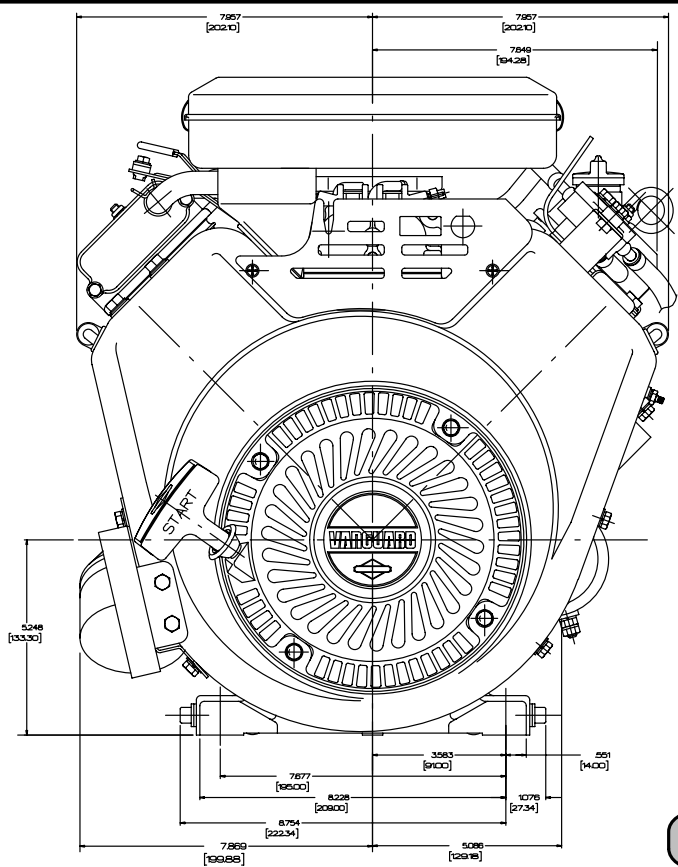
Outline Drawings

20 HP 381400
22 HP 380400



Air Cleaner Side

Dwg 3804000006



Front View

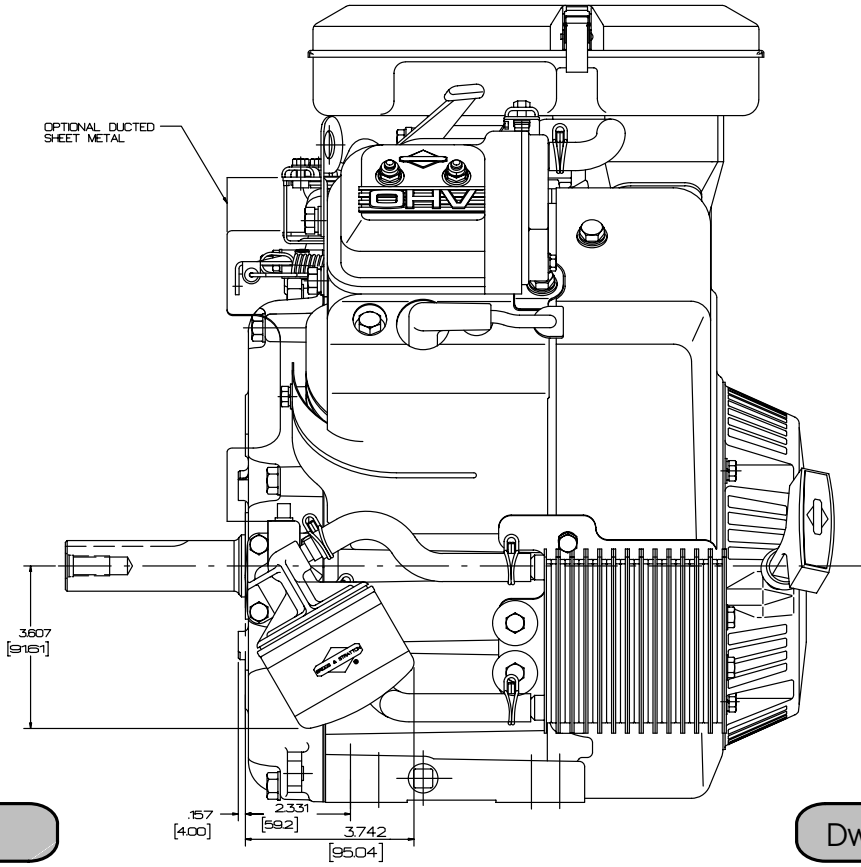
Dwg 3804000006



VANGUARD™ V-TWIN SERIES

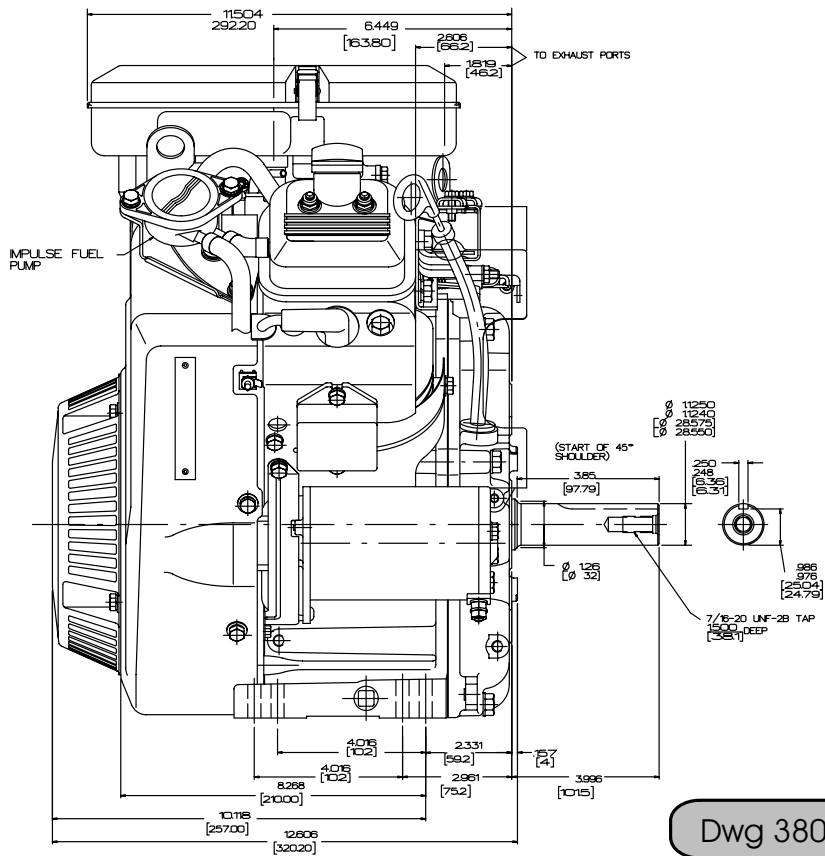
Outline Drawings

20 HP 381400
22 HP 380400



Oil Filter Side

Dwg 38040000006



Oil Fill Side

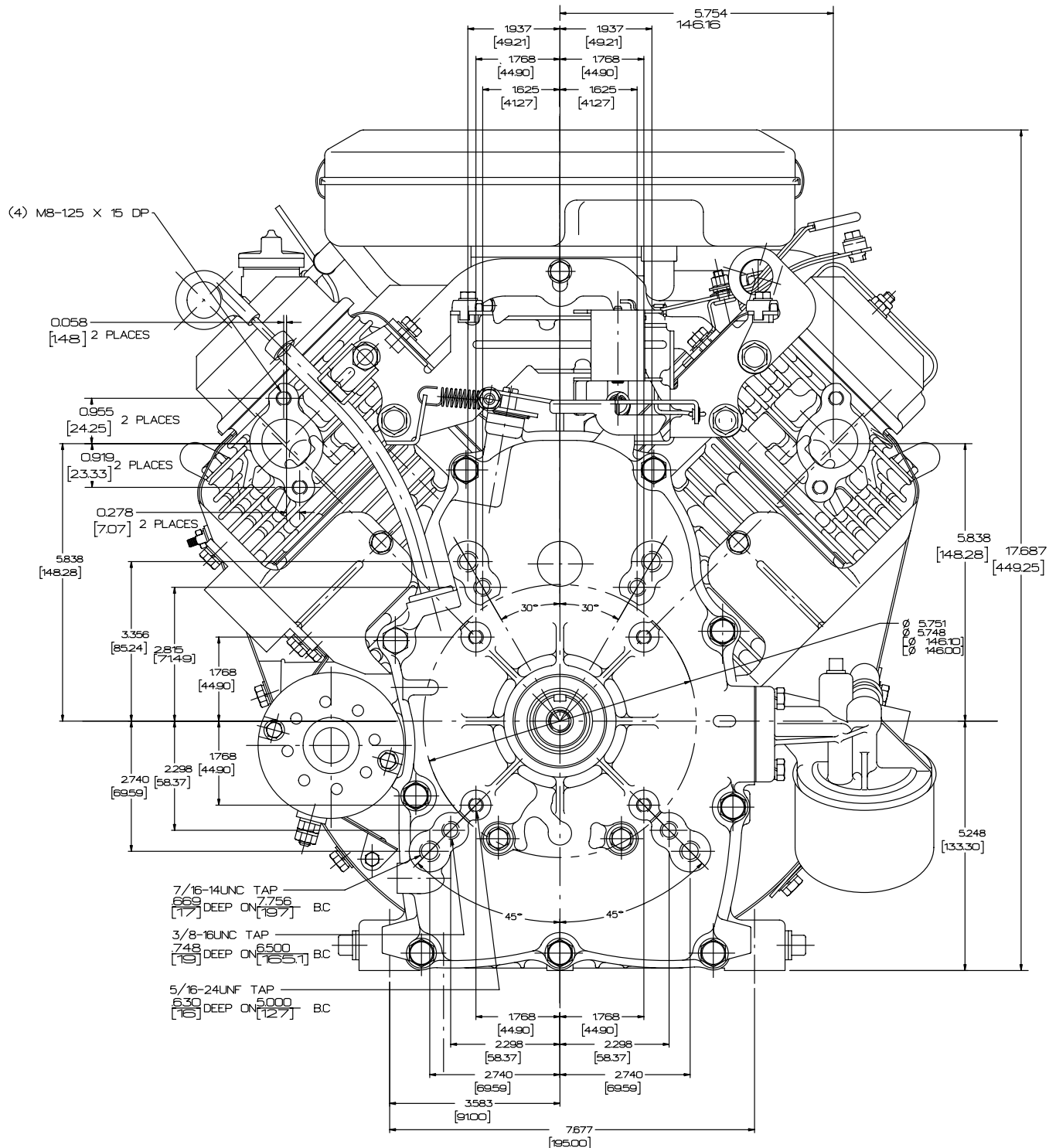
Dwg 38040000006



VANGUARD™ V-TWIN SERIES

Outline Drawing

20 HP 381400
22 HP 380400



PTO Side View

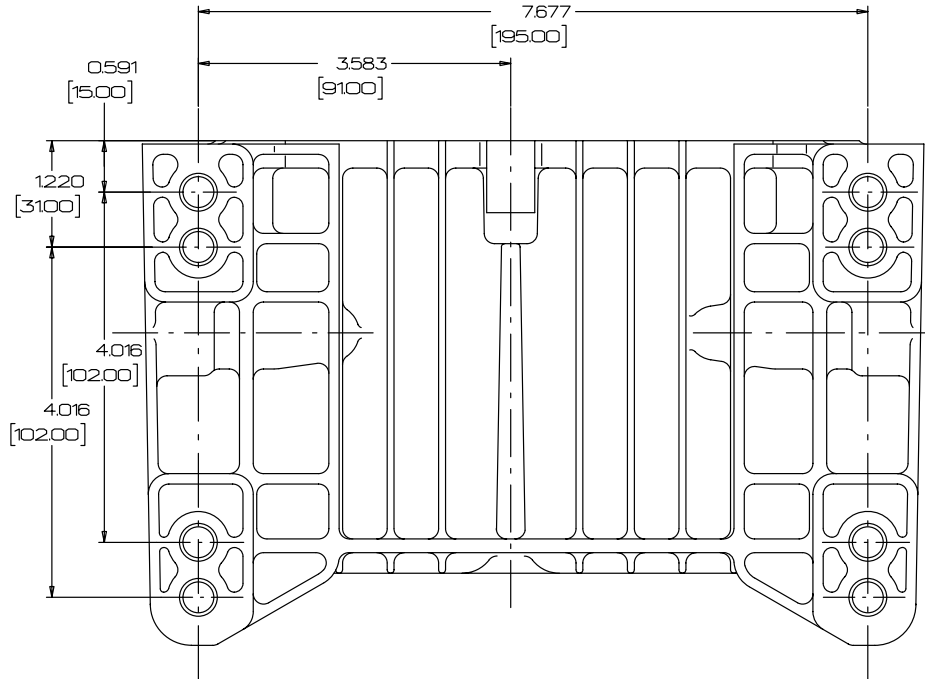
Dwg 38040000006



VANGUARD™ V-TWIN SERIES

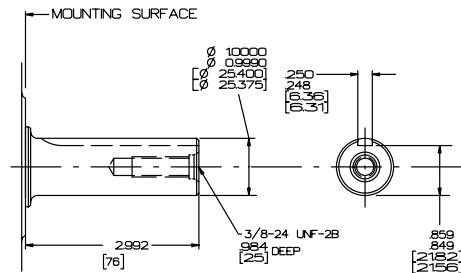
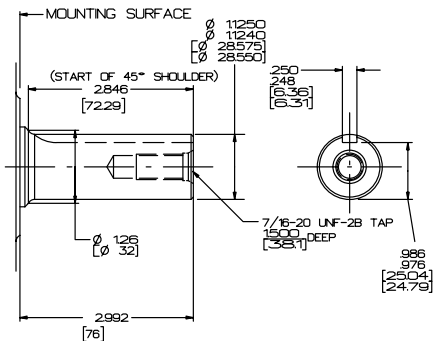
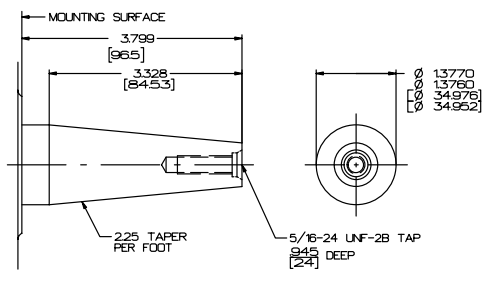
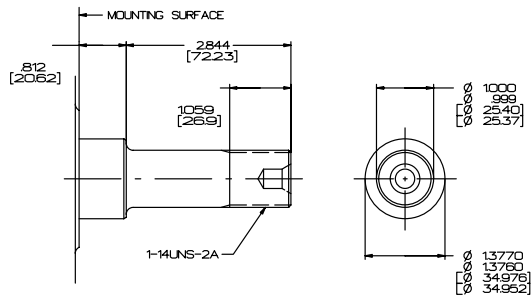
Crankshaft Data

20 HP 381400
22 HP 380400



Footprint

Dwg 38040000006



Crankshaft Data

Control Mtg. Point

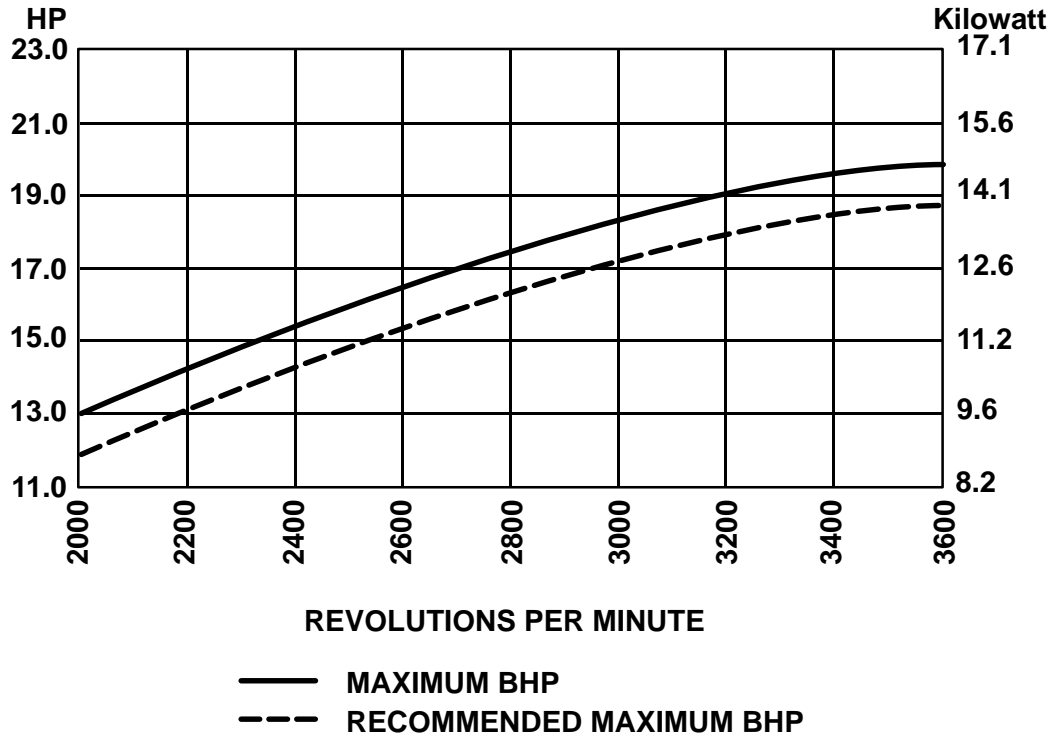


VANGUARD™ V-TWIN SERIES

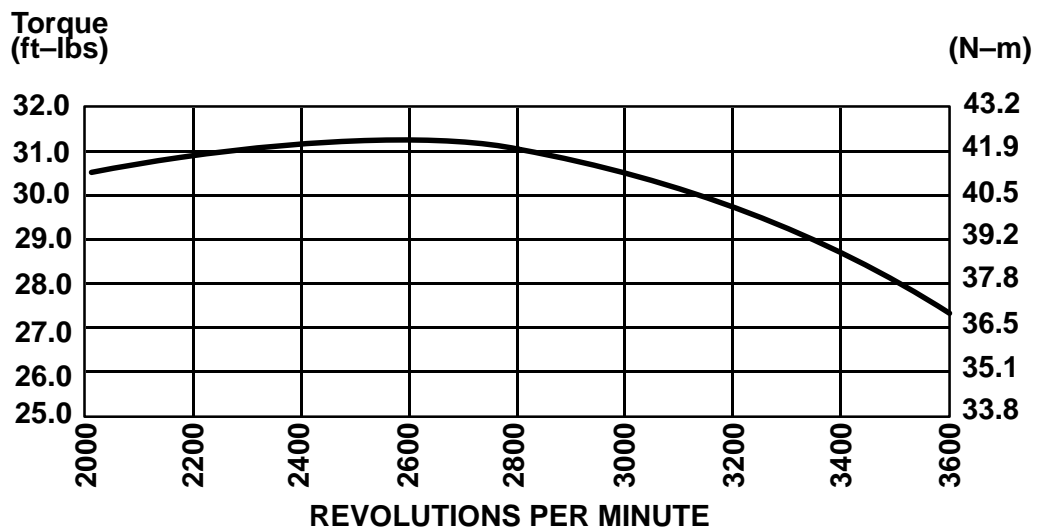
20 HP 381400

Performance Data

Power Curve

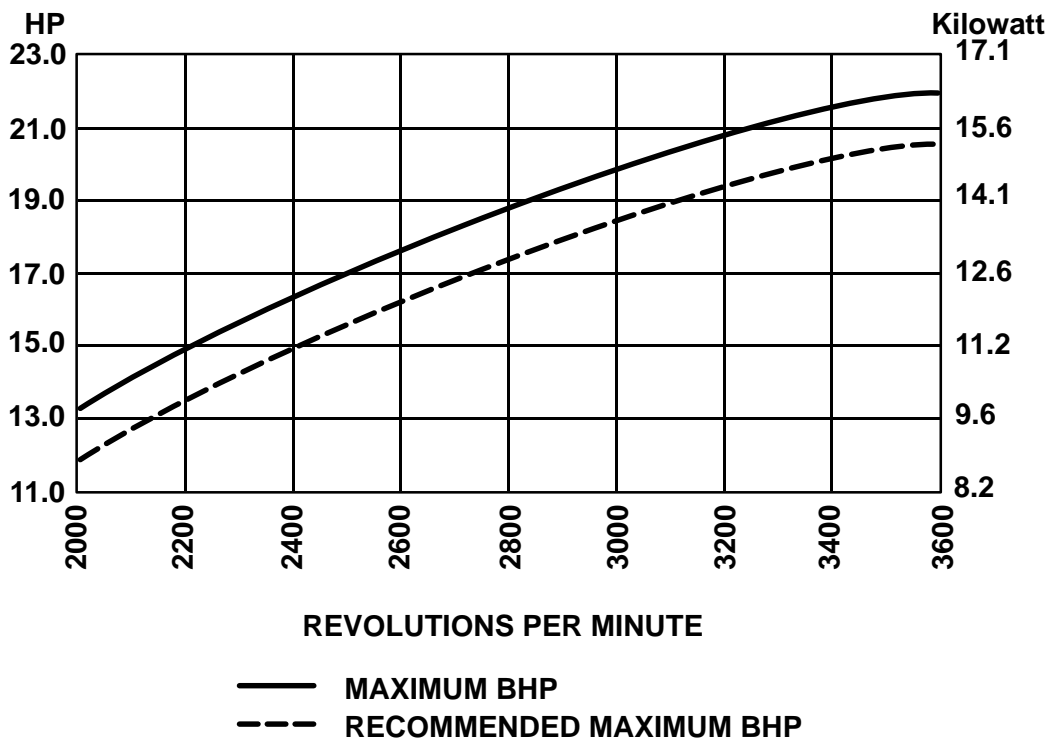


Torque Curve

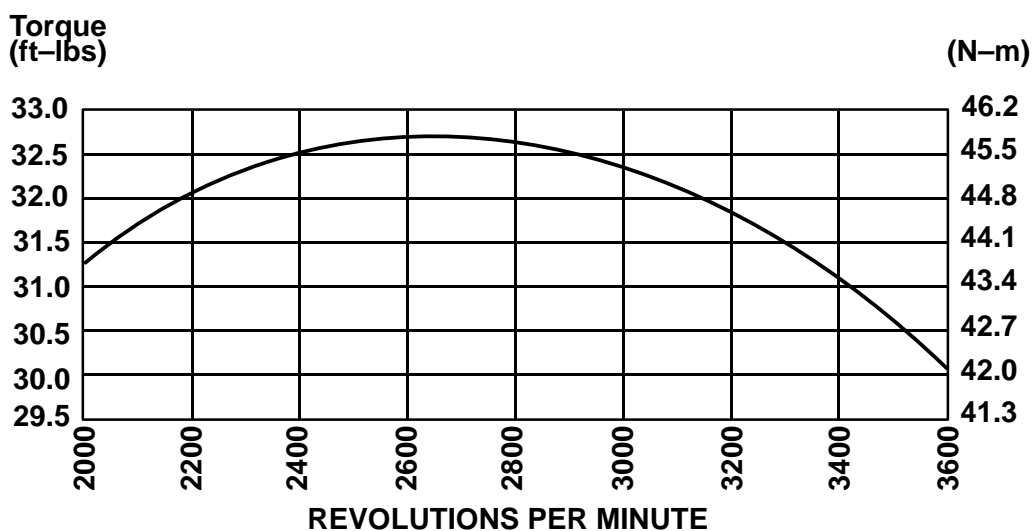


Performance Data

Power Curve



Torque Curve





VANGUARD™ V-TWIN SERIES

Sound Performance

20 HP 381400
22 HP 380400

Sound Chart

